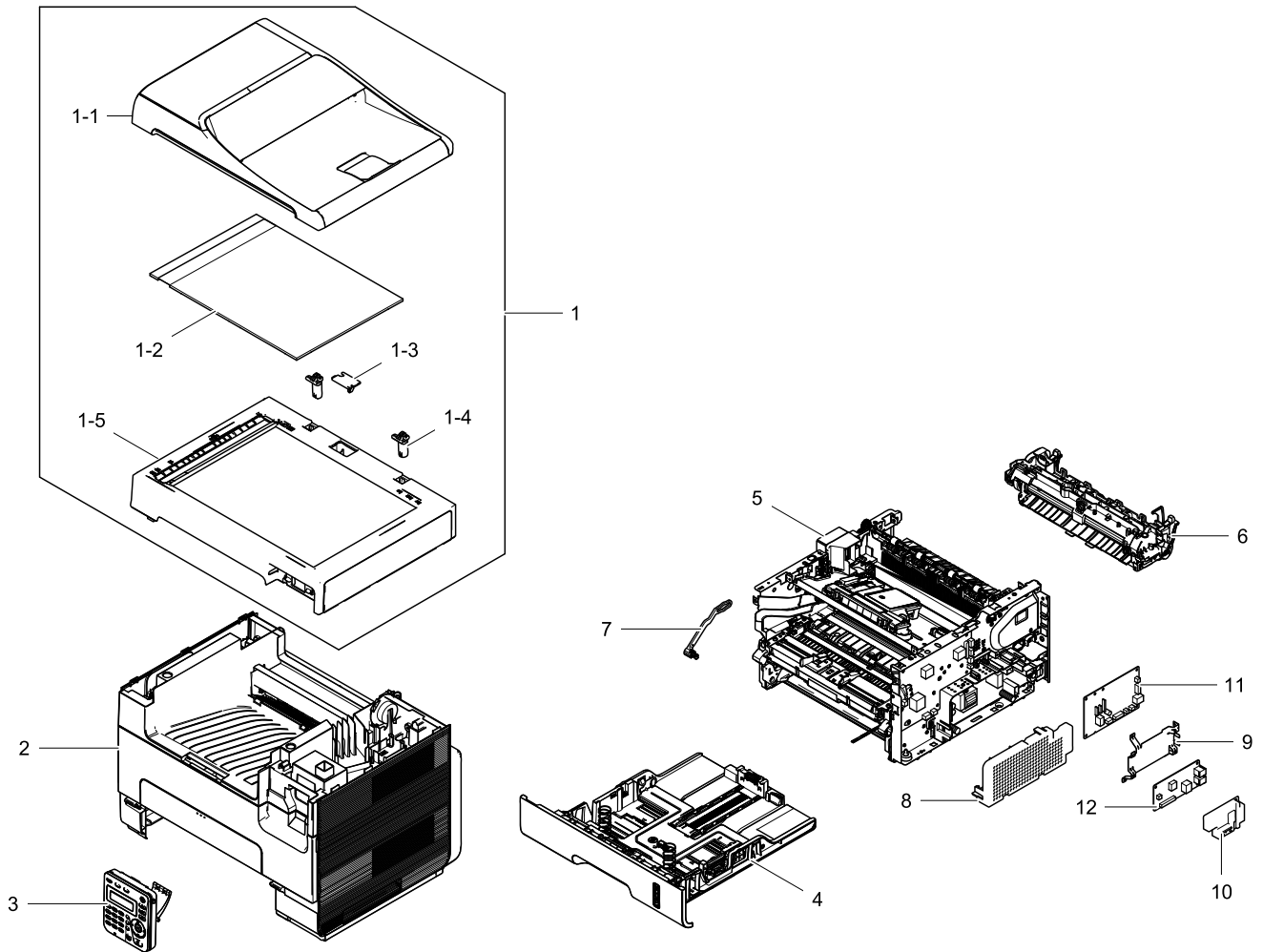


# 1. Main

## Exploded View



## Parts List

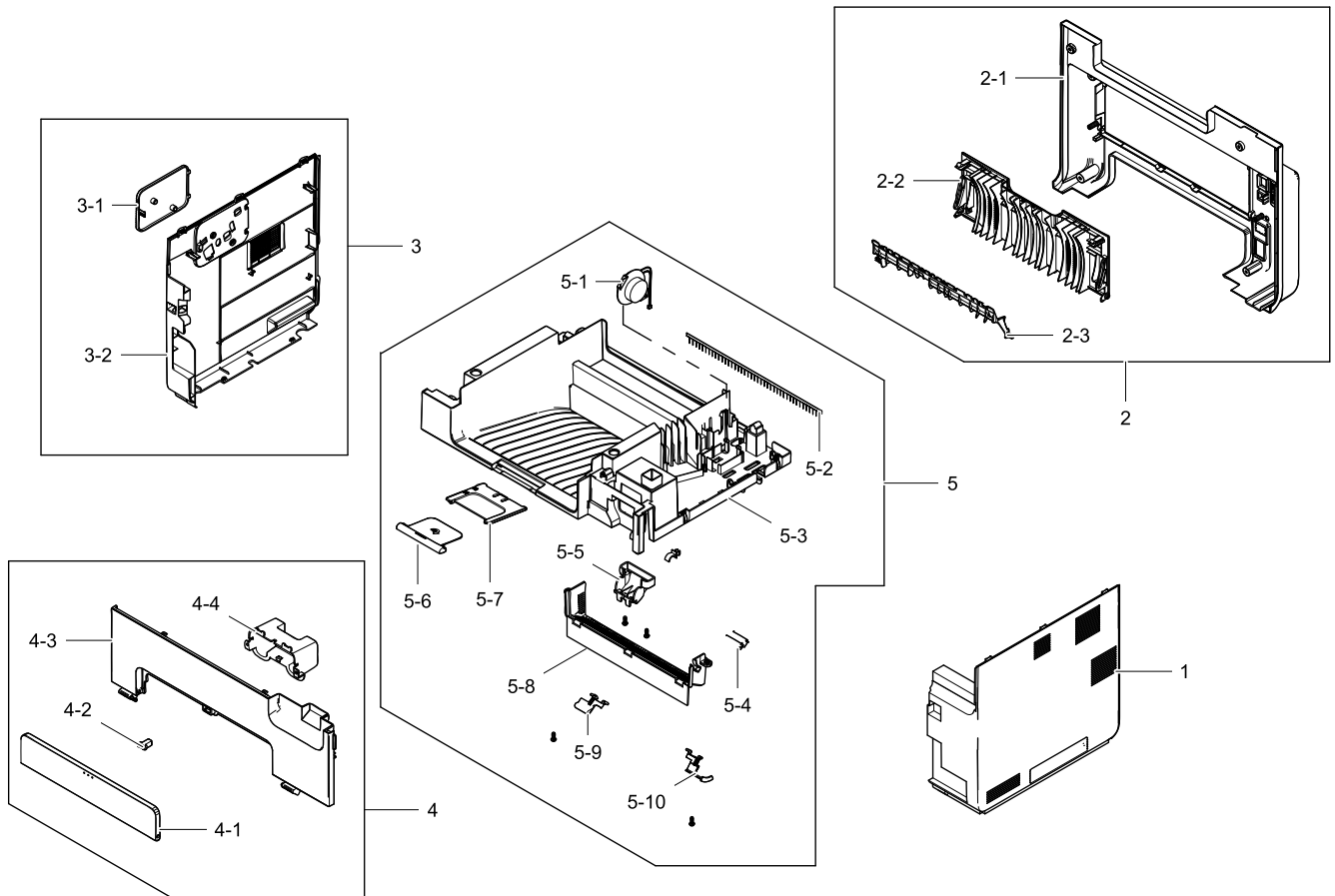
No.	Parent	Lvl.	Loc.	Material Code	Description & Specification	SNA	Qty.
1	SCX-4728FD	1		JC97-04025A	SCANNER; SCX-4728FD,XAA	SNA	1
1-1	JC97-04025A	2		JC97-03962A	ADF; SCX-4729FD,SEC,SSDP,HIP HR-1360T,2.4	SA	1
1-2	JC97-04025A	2	L8658	JC63-02569A	SHEET-WHITE; FIT,PP,3.6,216,250.2,White,9	SA	1
1-3	JC97-04025A	2		JC63-03160B	COVER-CONNECTOR; SCX-4728FD,HIPS,2.0T,38,	SNA	1
1-4	JC97-04025A	2	D9329	JC97-03191A	MEA UNIT-HINGE L; CLX-3170,SEC,WORLD,-,-	SA	2
1-5	JC97-04025A	2		JC97-03964B	PLATEN; SCX-4729FD,SEE	SA	1
2	SCX-4728FD	1		JC95-01473C	COVER; SCX-4728FD,SEE	SNA	1
3	SCX-4728FD	1		JC97-03981G	OPE; SCX-4728FD,KOR	SNA	1
4	SCX-4728FD	1		JC90-01115B	CASSETTE; SCX-4728FD,SEE,B-Type	SA	1

Exploded Views and Parts List

No.	Parent	Lvl.	Loc.	Material Code	Description & Specification	SNA	Qty.
5	SCX-4728FD	1		JC93-00424C	FRAME MAIN; SCX-4728FD	SNA	1
6	SCX-4728FD	1		JC91-01034B	FUSER; ML-2950ND,SEC,WORLD,220V	SA	1
7	JC98-01860A	2		JC66-03035A	LEVER-COUPPING B; ML-2950ND,POM,WHT	SA	1
8	JC98-01860A	2		JC63-03144A	COVER-SMPS; SCX-4729FD,ABS VE-0812,2.5T,2	SNA	1
9	JC98-01860A	2		JC61-04422A	BRACKET-FAX BOARD; SCX-4729FD,SECC,0.6T,1	SNA	1
10	JC98-01860A	2		JC63-03143A	COVER-FAX BOARD; SCX-4729FD,ABS VE-0812,1	SNA	1
11	SCX-4728FD	1		JC92-02409A	PBA-MAIN; SCX-4729FD,SEC,SCX-4729FD,MAIN	SA	1
12	SCX-4728FD	1		JC92-01746D	PBA-LIU; SCX-4729FD,CX86710,LIU DAA,5V/3.	SA	1

## 2. Cover

### Exploded View



### Parts List

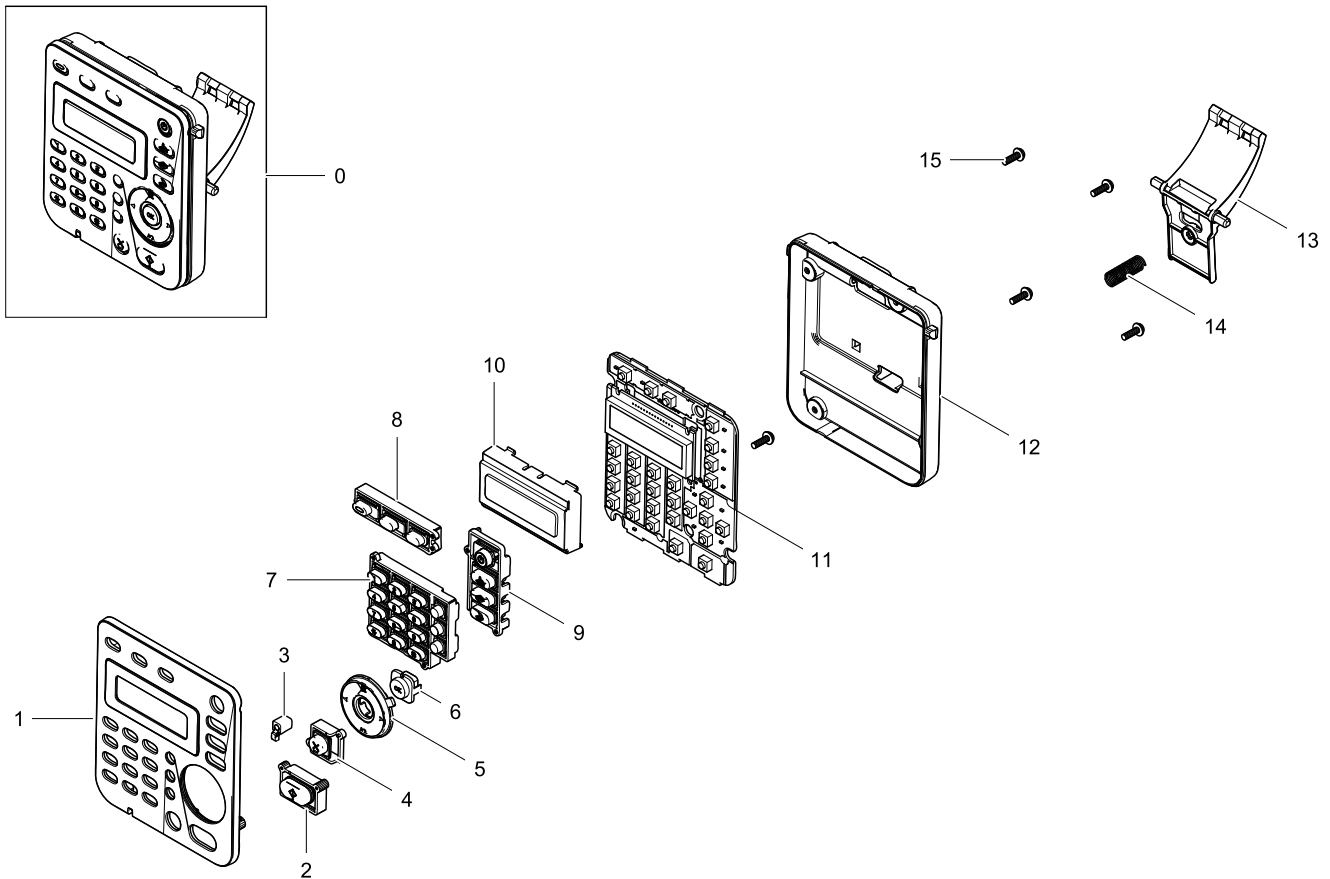
No.	Parent	Lvl.	Loc.	Material Code	Description & Specification	SNA	Qty.
1	JC95-01473C	2		JC95-01557B	COVER-RIGHT; SCX-4728FD,SEE	SA	1
2	JC95-01473C	2		JC95-01476B	COVER-REAR; SCX-4728FD,SEE	SA	1
2-1	JC95-01476B	3		JC63-03138B	COVER-REAR; SCX-4728FD,HIPS,2.0T,403.9,25	SA	1
2-2	JC95-01476B	3		JC63-03109B	COVER-FACE UP; ML-2950ND,HIPS,2.5,276.6,1	SA	1
2-3	JC95-01476B	3		JC61-04377A	GUIDE-CHANGE_DUP; ML-2950ND,ABS,1.2,228,S	SA	1
3	JC95-01473C	2		JC95-01477B	COVER-LEFT; SCX-4728FD,SEE	SA	1
3-1	JC95-01477B	3		JC63-03133B	COVER-DUMMY LEFT; SCX-4728FD,HIPS,2.0T,92	SNA	1
3-2	JC95-01477B	3		JC63-03225B	COVER-LEFT; SCX-4728FD,HIPS,2.0T,239.1,24	SA	1
4	JC95-01473C	2		JC95-01475B	COVER-FRONT; SCX-4728FD,SEE	SA	1
4-1	JC95-01475B	3		JC63-03127B	COVER-MANUAL; ML-2950ND,HIPS,2,250.2,48.6	SA	1

## Exploded Views and Parts List

No.	Parent	Lvl.	Loc.	Material Code	Description & Specification	SNA	Qty.
4-2	JC95-01475B	3	J3647	JB64-00007A	LOCKER-LATCH PUSH; MJC-3305/CPQ,POM,BLACK	SA	1
4-3	JC95-01475B	3		JC63-03137B	COVER-FRONT; SCX-4728FD,HIPS,2.3T,403.9,1	SA	1
4-4	JC95-01475B	3		JC61-04390A	GUIDE-PUSH DEVE; ML-2955ND,HIPS,81,40,HR-	SA	1
5	JC95-01473C	2		JC95-01474C	COVER-MIDDLE; SCX-4728FD,SEE	SNA	1
5-1	JC95-01474C	3	G1134	3001-002207	SPEAKER; 0.3W,8ohm,81dB,400Hz,50X16.4mm	SA	1
5-2	JC95-01474C	3		JC67-00552A	BRUSH-ANTISTATIC; ML-2950ND,THUNDERON FIB	SA	1
5-3	JC95-01474C	3		JC63-03135B	COVER-MIDDLE; SCX-4728FD,HIPS,2.0T,403.5,	SA	1
5-4	JC95-01474C	3		6107-002961	SPRING-ETC; SUS304,0.5,31.1,4.0,2,LEFT	SA	1
5-5	JC95-01474C	3		JC61-04426A	GUIDE-OPE; SCX-4729FD,HIPS,2.0T,52.46,37,	SA	1
5-6	JC95-01474C	3		JC61-04421B	STACKER-RX SMALL; SCX-4728FD,HIPS,1.8T,79	SNA	1
5-7	JC95-01474C	3		JC61-04420B	STACKER-RX LARGE; SCX-4728FD,HIPS,2.0T,80	SNA	1
5-8	JC95-01474C	3		JC63-03119B	COVER-EXIT; ML-2950ND,ABS,2,257.5,52.5,Wa	SA	1
5-9	JC95-01474C	3	G1621	JC61-03321A	STACKER-RX_PAPER; ML-2855ND,POM,26.7,39.5	SA	1
5-10	JC95-01474C	3		JC61-04415A	STACKER-BIN_FULL; ML-2950ND,PC,46.56,26.5	SA	1

### 3. OPE

#### Exploded View



#### Parts List

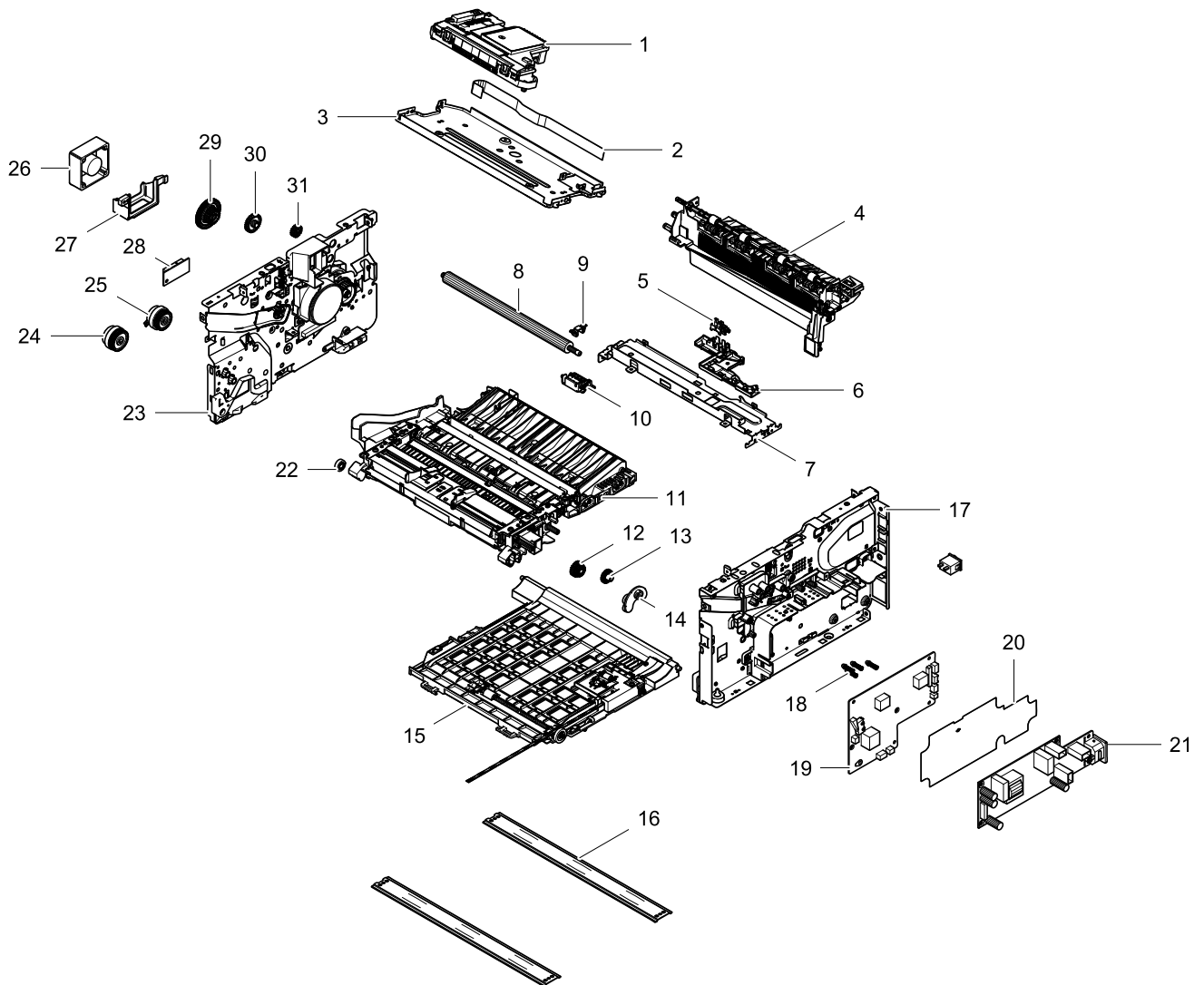
No.	Parent	Lvl.	Loc.	Material Code	Description & Specification	SNA	Qty.
0	SCX-4728FD	1		JC97-03981G	OPE; SCX-4728FD,KOR	SNA	1
1	JC97-03981G	2		JC63-03340G	COVER-OPE TOP; SCX-4728FD,HIPS,2.0T,99.33	SNA	1
2	JC97-03981G	2		JC64-00664A	KEY-START; SCX-4729FD,ABS,26.5*17.39,PALE	SNA	1
3	JC97-03981G	2		JC67-00540A	LENS-STATUS; SCX-4729FD,PC LH 3022U,MILKY	SNA	1
4	JC97-03981G	2		JC64-00667B	KEY-STOP; SCX-4728FD,ABS,17.2*17.4,WAVE G	SNA	1
5	JC97-03981G	2		JC64-00665B	KEY-MENU; SCX-4728FD,ABS,34.1,WAVE GRAY +	SNA	1
6	JC97-03981G	2		JC64-00666B	KEY-OK; SCX-4728FD,ABS,15*15,WAVE GRAY	SNA	1
7	JC97-03981G	2		JC64-00662B	KEY-TEL; SCX-4728FD,ABS,56.8*46.9,WAVE GR	SNA	1
8	JC97-03981G	2		JC64-00676B	KEY-ECO; SCX-4728FD,ABS,54.88*14.2,WAVE G	SNA	1

## Exploded Views and Parts List

No.	Parent	Lvl.	Loc.	Material Code	Description & Specification	SNA	Qty.
9	JC97-03981G	2		JC64-00663B	KEY-POWER; SCX-4728FD,ABS,51.6*22.9,WAVE	SNA	1
10	JC97-03981G	2		JC63-03147A	COVER-LCD; SCX-4729FD,PC TP-1025Y,2.0T,63	SNA	1
11	JC97-03981G	2		JC92-02404B	PBA-OPE; SCX-4729FD,SEC,5V,OPE,92.4X103mm	SA	1
12	JC97-03981G	2		JC63-03146B	COVER-OPE BOTTOM; SCX-4728FD,HIPS,2.0T,99	SA	1
13	JC97-03981G	2		JC66-03038A	LEVER-OPE; SCX-4729FD,HIPS,2.5T,30,FG-179	SA	1
14	JC97-03981G	2		6107-001195	SPRING-CS; SUS304-WPB,PI0.7,D7,L22.2,ID6.	SNA	1
15	JC98-01860A	2	F9909	6003-000196	SCREW-TAPTYPE; PWH,+,B,M3,L10,NI PLT,SWRC	SA	8

## 4. Frame Main

### Exploded View



### Parts List

No.	Parent	Lvl.	Loc.	Material Code	Description & Specification	SNA	Qty.
1	JC93-00424C	2		JC97-03958A	LSU; ML-2950,SEC,Single,A4(Ltr),600,S1,78	SA	1
2	JC93-00424C	2		JC39-01530A	FLAT CABLE; ML-2950ND,12P, 14P,0.05,370mm	SA	1
3	JC93-00430A	3		JC61-04357A	BRACKET-LSU; ML-2950ND,SECC,0.8T	SNA	1
4	JC93-00424C	2		JC93-00410B	FRAME MAIN-EXIT; ML-2950ND,Wave gray	SNA	1
5	JC93-00429A	3	E9322	0604-001393	PHOTO-INTERRUPTER; TR,75mW,BGA,TR	SA	1
6	JC93-00429A	3		JC61-04388A	HOLDER-EXIT SENSOR; ML-2950ND,ABS+PC,BLAC	SA	1

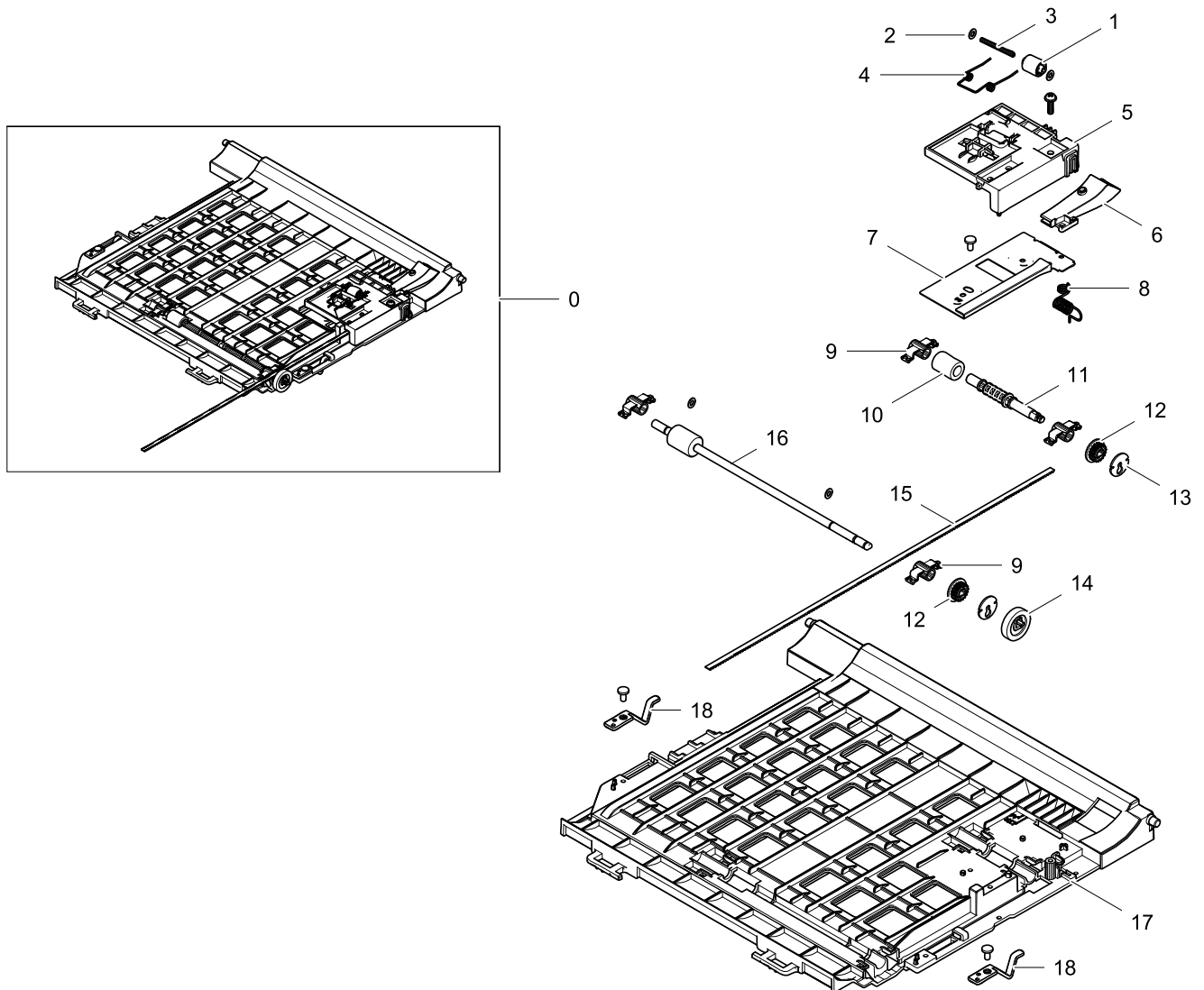
Exploded Views and Parts List

No.	Parent	Lvl.	Loc.	Material Code	Description & Specification	SNA	Qty.
7	JC93-00429A	3		JC61-04383A	PLATE-FUSER; ML-2950ND,SECC,1.0T,275.5,37	SNA	1
8	JC93-00424C	2	F9016	JC66-01218A	ROLLER-TRANSFER; SCX-4200,NBR+ECO,15,218m	SA	1
9	JC93-00424C	2		JC61-04068A	HOLDER-TR; ML-3700,ABS,2,24.4,9,ICE GREEN	SA	1
10	JC93-00430A	3		JC93-00411A	FRAME-CRUM; ML-2950ND,SEC	SA	1
11	JC93-00424C	2		JC93-00414A	FRAME-PAPER_PATH; ML-2950ND,SEC	SA	1
12	JC93-00424C	2		JC66-03028A	GEAR-RDCN; ML-2950ND,POM,0.6/0.8,z23,WHT,	SA	1
13	JC93-00424C	2		JC66-03012A	GEAR-DUPLEX DR; ML-2950ND,POM,0.6,z28,WHT	SA	1
14	JC93-00424C	2		JC93-00418A	DRIVE-DUPLEX SWING; ML-2950ND,SEC	SA	1
15	JC93-00424C	2		JC90-01109A	DUPLEX; ML-2955ND,SEE	SA	1
16	JC93-00424C	2		JC61-04358A	PLATE-FRAME_BOTTOM; ML-2950ND,SECC,0.8T	SNA	2
17	JC93-00424C	2		JC93-00426A	FRAME MAIN-RIGHT; SCX-4729FD,SEE	SNA	1
18	JC93-00424C	2		JC93-00402A	FRAME-TERMINAL; ML-2950ND,SEE	SA	4
19	JC93-00424C	2		JC44-00205A	HVPS; 24V,21.6V~27.6V,MAX 5KV,MAX-2KV,600	SA	1
20	JC93-00424C	2		JC63-03162A	SHEET-INSULATOR; ML-2950ND,PC,0.254,181,7	SNA	1
21	JC93-00424C	2		JC44-00206A	SMPS-V2; ML-2950ND,P4M-SMP-2130_HYB-00-V2	SA	1
22	JC93-00424C	2		JC66-03014A	GEAR-FEED; ML-2950ND,POM,0.8,z16,WHT,SPUR	SA	1
23	JC93-00424C	2		JC93-00425A	FRAME MAIN-LEFT; SCX-4729FD,SEE	SNA	1
24	JC93-00424C	2		JC47-00036A	CLUTCH-ELECTRIC Z45; ML-2950ND,DC24V 10%	SA	1
25	JC93-00424C	2		JC47-00035A	CLUTCH-ELECTRIC Z41; ML-2950ND,DC24V 10%	SA	1
26	JC93-00424C	2		JC31-00146A	FAN; 50*50*20,24V	SA	1
27	JC93-00424C	2		JC61-04373A	HOLDER-FAN; ML-2950ND,PP,BLACK,HJ500R165	SNA	1
28	JC93-00424C	2		JC92-02406A	PBA-JOINT; ML-2950ND,JOINT,45mmX20mm,FR1,	SA	1
29	JC93-00424C	2		JC66-03023A	GEAR-RDCN EXIT; ML-2950ND,POM,0.5/0.8,z74	SA	1
30	JC93-00424C	2		JC66-03017A	GEAR-IDLE EXIT; ML-2950ND,POM,0.8,z29,WHT	SA	1
31	JC93-00424C	2		JC66-03013A	GEAR-EXIT; ML-2950ND,POM,0.8,z18,WHT,SPUR	SA	1



## 4.1. Duplex

### Exploded View



### Parts List

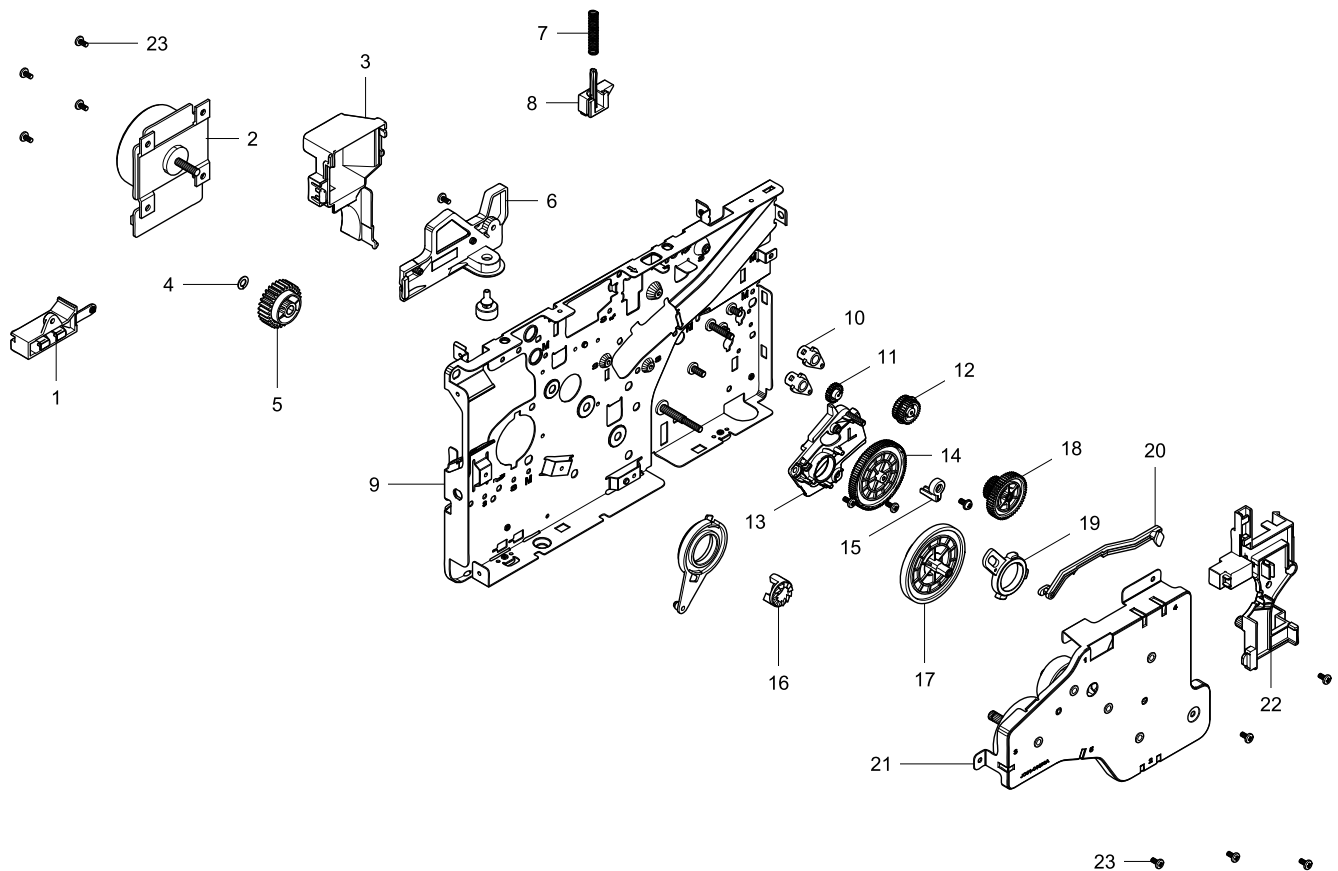
No.	Parent	Lvl.	Loc.	Material Code	Description & Specification	SNA	Qty.
0	JC93-00424C	2		JC90-01109A	DUPLEX; ML-2955ND,SEE	SA	1
1	JC90-01109A	3	F8925	JC66-00896A	ROLLER-M-IDLE_ DUP; ML-3560,POM,OD9.6,14.	SA	1
2	JC90-01109A	3	L8299	JK72-00058A	PCT-SILP WASHER; SRP-350,T0.5,P.A+GRAPHIT	SNA	2
3	JC90-01109A	3	L5919	JC66-00444A	SHAFT-IDLE ROLL, DUP; ML-2150,SUM24L,25,2	SNA	1
4	JC90-01109A	3	L7559	6107-001156	SPRING-TS; SWP-B,PI0.6,W20,ID3.5	SNA	1
5	JC90-01109A	3		JC61-04395A	GUIDE-DUPLEX_UPPER; ML-2950ND,ABS,2.0,60.	SA	1

Exploded Views and Parts List

No.	Parent	Lvl.	Loc.	Material Code	Description & Specification	SNA	Qty.
6	JC90-01109A	3		JC61-04393A	GUIDE-PAPER_DUPLEX; ML-2950ND,PC,1.5,14.8	SA	1
7	JC90-01109A	3		JC61-04403A	BRACKET-DUPLEX_ALIGN; ML-2950ND,SECC,0.6,	SNA	1
8	JC90-01109A	3		JC65-00052A	TERMINAL-GND_DUPLEX; ML-2950ND,C5191W,OD8	SA	1
9	JC90-01109A	3		JC61-04407A	BUSH-ROLLER_DUP; ML-2950ND,POM,4.0,7.6,8.	SA	4
10	JC90-01109A	3		JC66-03046A	ROLLER-RUBBER_FEED_DUP; ML-2955ND,EPDM,OD	SA	1
11	JC90-01109A	3		JC66-03008A	SHAFT-FEED_DUP_1; ML-2950ND,POM,57.6,4,WH	SNA	1
12	JC90-01109A	3		JC66-03010A	PULLEY-DUP; ML-2950ND,POM,WHITE,4.1,11.46	SNA	2
13	JC90-01109A	3		JC66-03306A	PULLEY-DUMMY_DUP; ML-2950ND,POM,WHITE,3.1	SNA	2
14	JC90-01109A	3	C3331	JC66-00038A	GEAR-EXIT F/DOWN; ML-4500,POM,0.8,GREEN	SNA	1
15	JC90-01109A	3	G9102	JC66-20901A	AUTO CLOSE-TIMING BELT; B32S2M280,CR+FG+N	SA	1
16	JC90-01109A	3		JC66-03097A	ROLLER-FEED_DUP2; ML-2950ND,SUM22,5.6,GRA	SA	1
17	JC90-01109A	3		JC61-04391A	FRAME-DUPLEX_BASE; ML-2950ND,HIPS,BLACK,2	SNA	1
18	JC90-01109A	3		JC64-00658A	LOCKER-DUP; NL-2950ND,POM,WHITE,DELTRIN 90	SA	2

## 4.2. Frame main-Left

### Exploded View



### Parts List

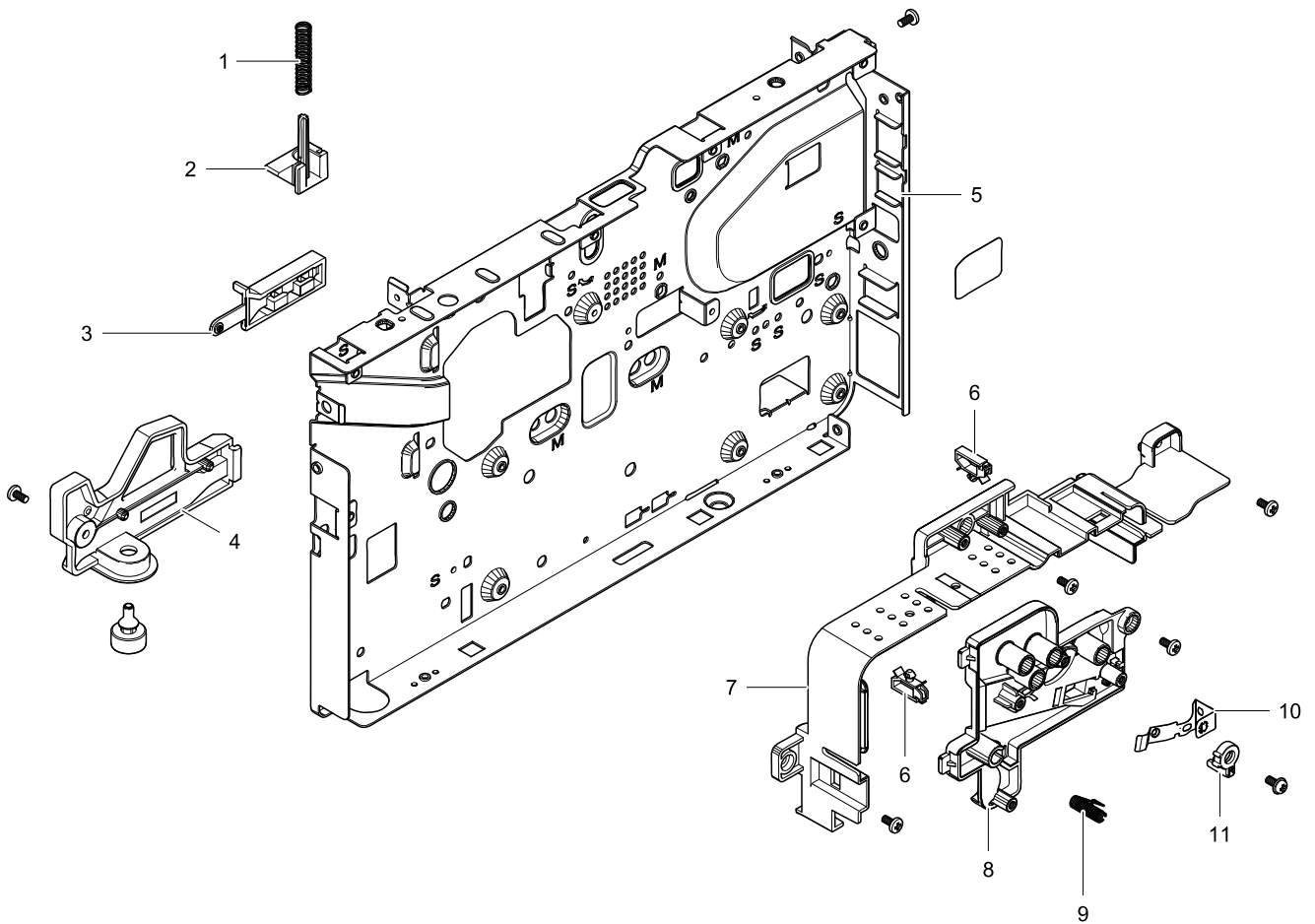
No.	Parent	Lvl.	Loc.	Material Code	Description & Specification	SNA	Qty.
1	JC93-00425A	3		JC61-04368A	GUIDE-CST_REAR_L; ML-2950ND,ABS,HF-0660I,	SA	1
2	JC93-00425A	3		JC31-00156A	MOTOR BLDC-TYPE1; 300~2500rpm,DC 24V,25W,	SA	1
3	JC93-00425A	3		JC67-00536A	DUCT-FAN; ML-2950ND,PP,56.9,96.9,HJ500R16	SA	1
4	JC93-00425A	3	L8199	6031-001255	WASHER-PLAIN; NYLON,CUTTING,ID5,OD9,T0.5,	SNA	1
5	JC93-00425A	3		JC66-03016A	GEAR-FUSER DR OUT; ML-2950ND,POM,1.0,z29,	SA	1
6	JC93-00425A	3		JC61-04370A	GUIDE-KNOCK_UP_L; ML-2950ND,ABS,HF-0660I,	SA	1
7	JC93-00426A	3		6107-002925	SPRING-CS; SUS304,0.8,32.2,6.6,10.5,12.5	SA	1
8	JC93-00425A	3		JC61-04381A	PLATE-GUIDE_DEVE_L; ML-2950ND,POM,22.8,33	SA	1
9	JC93-00425A	3		JC61-04360A	FRAME-LEFT; ML-2950ND,SECC,0.8T	SNA	1

## Exploded Views and Parts List

No.	Parent	Lvl.	Loc.	Material Code	Description & Specification	SNA	Qty.
10	JC93-00425A	3		JC61-04405A	BUSH-SHAFT_MP; ML-2950ND,POM,6.0,9.0,5,WH	SA	2
11	JC93-00425A	3		JC66-03018A	GEAR-IDLE FEED2; ML-2950ND,POM,0.5,z24,WH	SA	1
12	JC93-00425A	3		JC66-03019A	GEAR-IDLE FEED3; ML-2950ND,POM,0.5/0.8,z3	SA	1
13	JC93-00425A	3		JC61-04387A	HOLDER-COUPLER; ML-2950ND,PC+GF,BLACK,NH3	SA	1
14	JC93-00425A	3		JC66-03020A	GEAR-IDLE FEED; ML-2950ND,POM,0.5,z94,WHT	SA	1
15	JC93-00425A	3		JC66-02998A	LEVER-OPC HOLDER L; ML-2950ND,POM,F20-02,	SA	1
16	JC93-00425A	3	C3424	JC66-00340A	GEAR-HUB CLUTCH; SCX-5100,POM,M0.8,Z13,NT	SA	1
17	JC93-00425A	3		JC66-03024A	GEAR-RDCN FEED1; ML-2950ND,POM,0.5,z101/z	SA	1
18	JC93-00425A	3		JC66-03025A	GEAR-RDCN FEED2; ML-2950ND,POM,0.5/0.6,z3	SA	1
19	JC93-00425A	3		JC67-00538A	COUPLER-CAM; ML-2950ND,POM,T5.0,ID20.32,O	SA	1
20	JC93-00425A	3		JC66-03034A	LEVER-COUPLING A; ML-2950ND,POM,Black	SA	1
21	JC93-00425A	3		JC93-00417A	DRIVE-MAIN; ML-2950ND	SA	1
22	JC93-00425A	3		JC63-03123A	COVER-HARNESS; ML-2950ND,ABS,93.6,101.26,	SNA	1
23	JC93-00429A	3	F9840	6003-000269	SCREW-TAPTYPE; BH,+,-,S,M3,L6,ZPC(WHT),SW	SA	2

## 4.3. Frame Main-Right

### Exploded View



### Parts List

No.	Parent	Lvl.	Loc.	Material Code	Description & Specification	SNA	Qty.
1	JC93-00426A	3		6107-002925	SPRING-CS; SUS304,0.8,32.2,6.6,10.5,12.5	SA	1
2	JC93-00426A	3		JC61-04382A	PLATE-GUIDE_DEVE_R; ML-2950ND,POM,22.8,33	SA	1
3	JC93-00426A	3		JC61-04369A	GUIDE-CST_REAR_R; ML-2950ND,ABS,VO,VE-081	SA	1
4	JC93-00426A	3		JC61-04371A	GUIDE-KNOCK_UP_R; ML-2950ND,ABS,VE-0812,B	SA	1
5	JC93-00426A	3		JC61-04359A	FRAME-RIGHT; ML-2950ND,SECC,0.8T	SNA	1
6	JC93-00430A	3	L9053	6502-001130	CABLE CLAMP; DACS-3N,14*5,Nylon66,BLACK	SA	2
7	JC93-00426A	3		JC63-03120A	COVER-SMPS; ML-2950ND,ABS,1.5,162.5,91,BL	SNA	1
8	JC93-00426A	3		JC61-04386A	GUIDE-DEVE R; ML-2950ND,PC+GF,NH-3204G,PA	SA	1

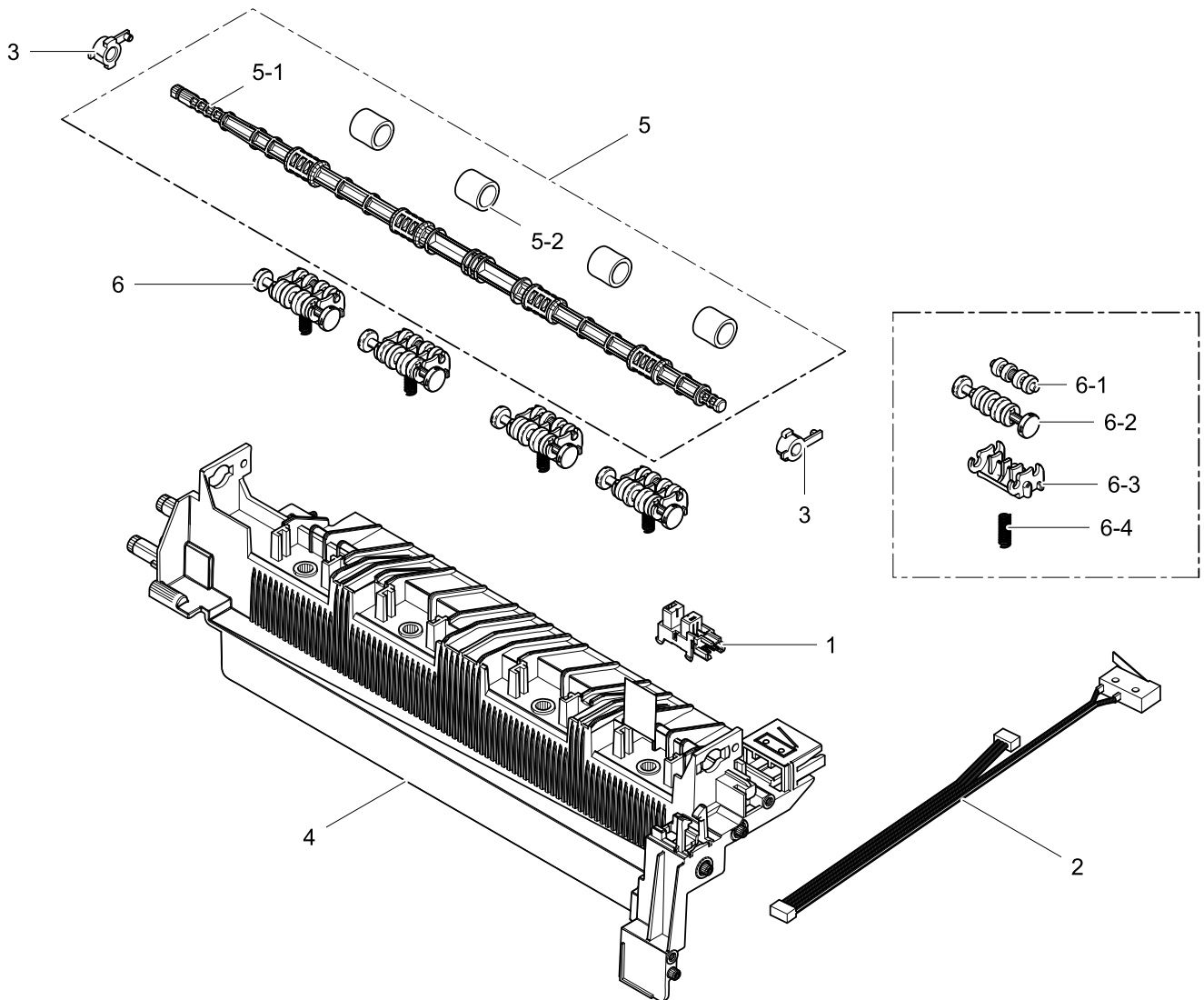
Exploded Views and Parts List

---

No.	Parent	Lvl.	Loc.	Material Code	Description & Specification	SNA	Qty.
9	JC93-00426A	3		6107-002923	SPRING-ETC; SUS304,0.5,22.4,4.0,9.6,11.6	SA	1
10	JC93-00426A	3		JC63-03110A	GROUND-OPC; ML-2950ND,SUS,0.2T	SNA	1
11	JC93-00426A	3		JC66-02999A	LEVER-OPC HOLDER R; ML-2950ND,POM,WHITE	SNA	1

## 4.4. Frame Main-Exit

### Exploded View



### Parts List

No.	Parent	Lvl.	Loc.	Material Code	Description & Specification	SNA	Qty.
1	JC93-00429A	3	E9322	0604-001393	PHOTO-INTERRUPTER; TR,75mW,BGA,TR	SA	1
2	JC93-00410B	3		JC39-01533A	HARNESS-BINFULL; ML-2950ND,UL10272,5PIN,1	SA	1
3	JC93-00410B	3		JC61-03782B	BUSH-SHAFT EXIT; Others,KIWhA,NW-02	SA	2
4	JC93-00410B	3		JC61-04385B	FRAME-EXIT; ML-2950ND,PC,Wave gray,274.5,	SNA	1
5	JC93-00410B	3		JC93-00412A	FRAME-EXIT ROLLER; ML-2950ND,SEC	SA	1
5-1	JC93-00412A	4		JC66-03001A	SHAFT-EXIT_F_DN; ML-2950ND,PBT+GF,280.9,8	SNA	1

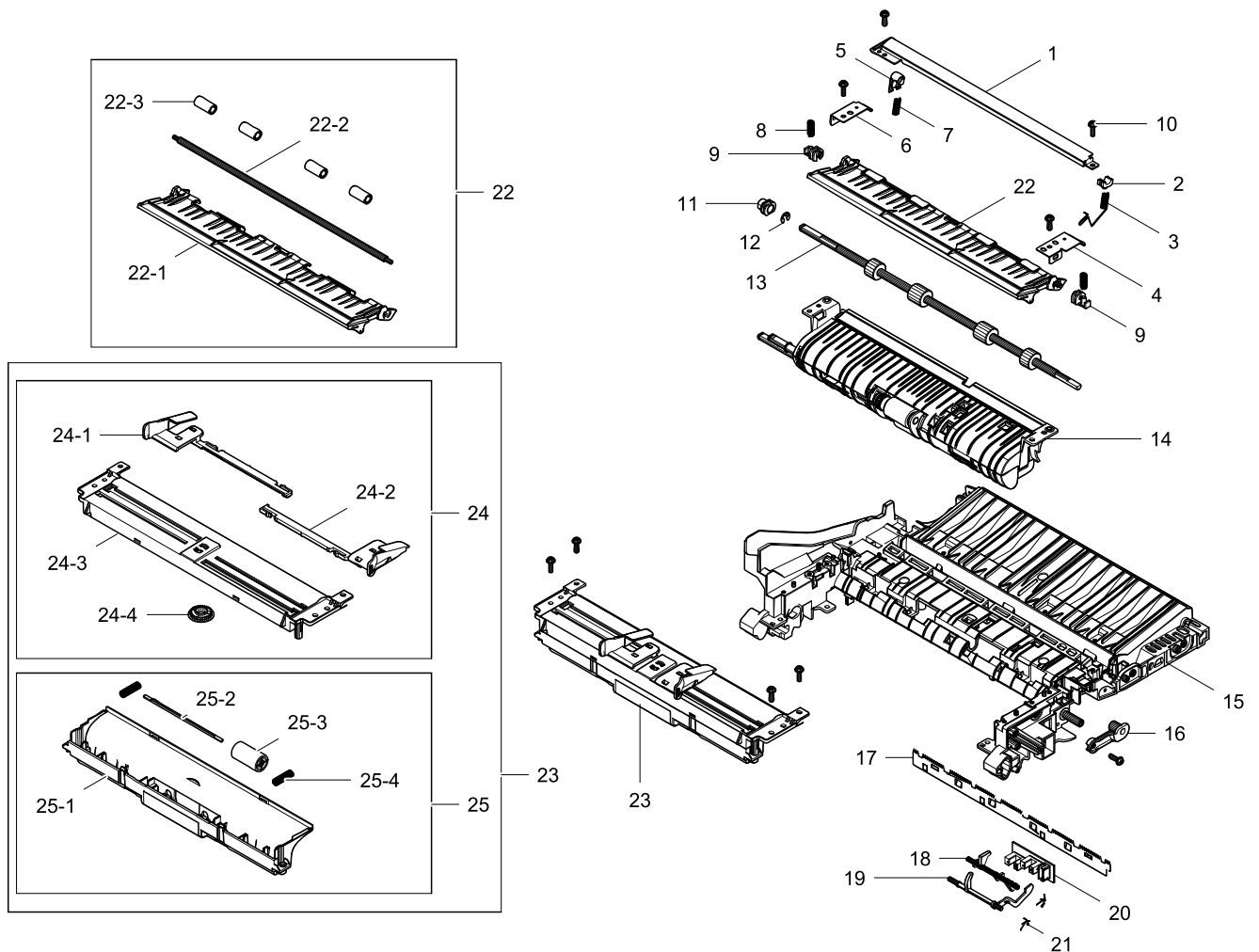
Exploded Views and Parts List

No.	Parent	Lvl.	Loc.	Material Code	Description & Specification	SNA	Qty.
5-2	JC93-00412A	4	L4203	JC73-40915A	RMO-RUBBER EXIT; SF-5800P,EPDM,11.6 PI,60	SA	4
6	JC93-00410B	3		JC93-00413A	FRAME-ROLLER DECURL; ML-2950ND,SEC	SA	4
6-1	JC93-00413A	4	R0128	JC66-00934A	ROLLER-M_EXIT FR; ML-1610,TEFLON-NTR,6.5,	SNA	4
6-2	JC93-00413A	4	L9513	JC66-02742A	ROLLER-EXIT_MAIN; ML-1660,POM,9.2,BLACK	SA	4
6-3	JC93-00413A	4	L9431	JC61-03781A	HOLDER-EXIT F DOWN; ML-1660,PC,BLACK,HN-1	SNA	4
6-4	JC93-00413A	4	G1505	6107-001163	SPRING-CS; SUS304-WPB,PI0.4,D3.9,L13,ID3.	SA	4



## 4.5. Frame Paper Path

### Exploded View



### Parts List

No.	Parent	Lvl.	Loc.	Material Code	Description & Specification	SNA	Qty.
1	JC93-00414A	3	K7736	JC61-02236A	PLATE-EARTH-TRANSFER; ML-2851ND,SECC,1.0,	SNA	1
2	JC93-00414A	3	A7675	JC61-02468A	BUSH-TR_L; ML-2851ND,STEEL SINTERED	SA	1
3	JC93-00414A	3		6107-002922	SPRING-ETC; SUS304,0.5,40.2,4.0,6,8	SA	1
4	JC93-00414A	3		JC61-04361A	PLATE-PUSH BUSH R; ML-2950ND,SECC,0.8T	SNA	1
5	JC93-00414A	3		JC61-04413A	BUSH-TR_L; ML-2950ND,POM,6.1,8,12.5,BLACK	SA	1
6	JC93-00414A	3		JC61-04362A	PLATE-PUSH BUSH L; ML-2950ND,SECC,0.8T	SNA	1
7	JC93-00414A	3	G1480	6107-001370	SPRING-CS; STS304WPB,NO FIN,PI0.45,D4.45,	SNA	1

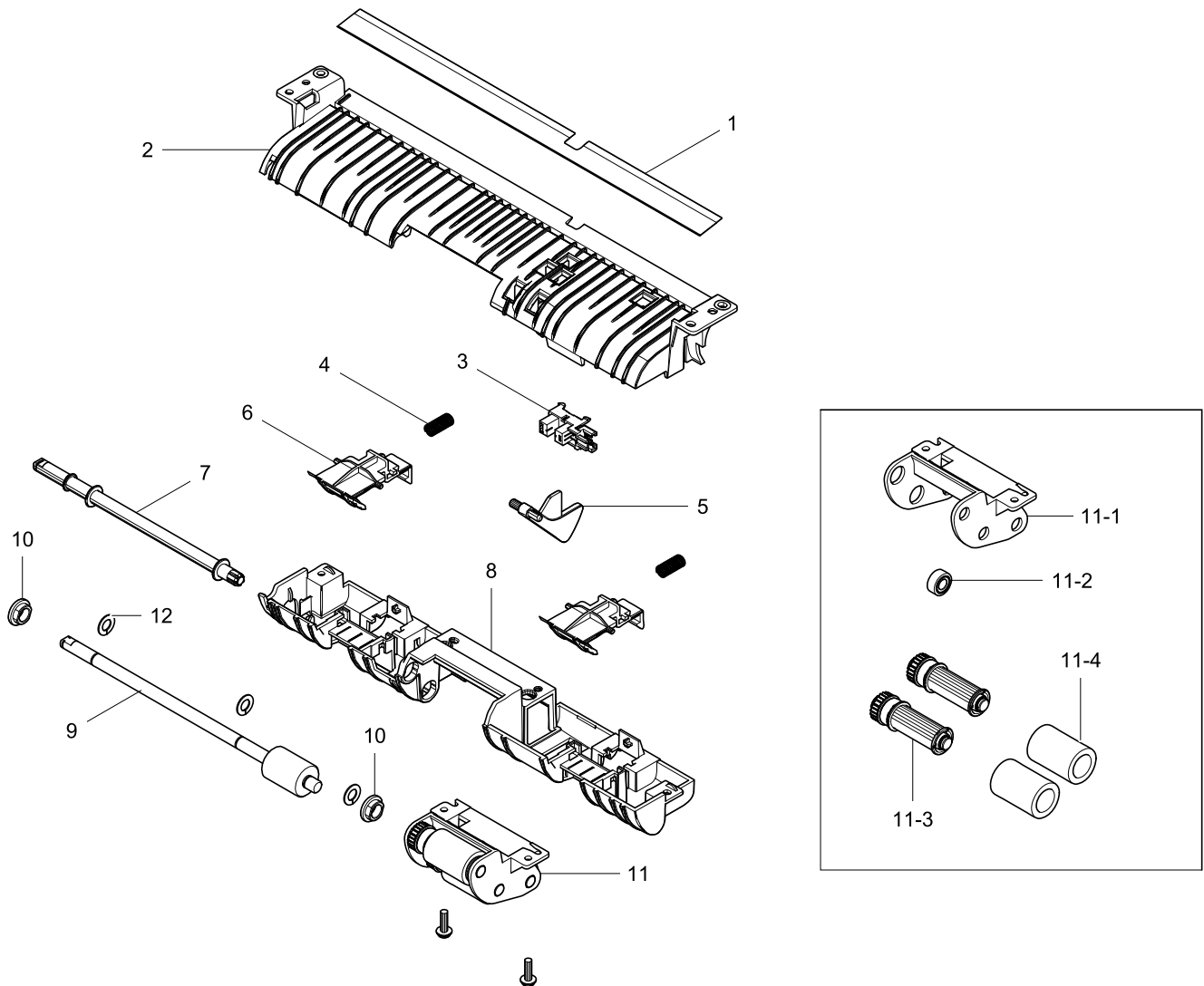
Exploded Views and Parts List

No.	Parent	Lvl.	Loc.	Material Code	Description & Specification	SNA	Qty.
8	JC93-00414A	3	G1436	JC61-70958A	SPRING ETC-TR; ML-5000A,SUS304 WPB,PI0.55	SNA	2
9	JC93-00414A	3	A7646	JC61-00585A	BUSH-M-FEED IDLE; ML-1710,POM AT-15CF,3	SA	2
10	JC97-03964B	3	F9909	6003-000196	SCREW-TAPTYPE; PWH,+,B,M3,L10,NI PLT,SWRC	SA	4
11	JC93-00414A	3		JC61-04406A	BUSH-SHAFT_EXIT; ML-2950ND,POM,6.0,9.0,7.	SA	1
12	JC93-00414A	3	F8266	6044-000125	RING-E; ID4,OD9,T0.6,STSC	SA	1
13	JC93-00414A	3		JC66-03044A	ROLLER-REGI; ML-2950ND,EPDM+SUM,14.25,303	SA	1
14	JC93-00414A	3		JC93-00404A	FRAME BASE-PICKUP; ML-2955ND,SEE	SA	1
15	JC93-00414A	3		JC61-04384A	FRAME-MIDDLE; ML-2950ND,ABS,272.1,221,HF-	SA	1
16	JC93-00414A	3		JC61-04376A	HOLDER-REGI; ML-2950ND,POM,WHT,F20-02	SA	1
17	JC93-00414A	3	E9623	JC61-00604A	PLATE-P-SAW; ML-1400,SUS304-CSP,0.15,15.1	SNA	1
18	JC93-00414A	3		JC66-02996A	ACTUATOR-FEED; ML-2950ND,PC,NH-1035P,Blac	SA	1
19	JC93-00414A	3		JC66-02995A	ACTUATOR-REGI; ML-2950ND,PC,NH-1035P,Blac	SA	1
20	JC93-00414A	3	L9546	JC92-02288A	PBA-FEED SENSOR; ML-1660,SEC,FEED SENSOR,	SA	1
21	JC93-00414A	3	G1591	6107-001164	SPRING-TS; SUS304-WPB,PI0.15,D3.95,L12,ID	SA	2
22	JC93-00414A	3		JC93-00403A	FRAME BASE-REGI; ML-2955ND,SEE	SA	1
22-1	JC93-00403A	4		JC63-03126A	COVER-PAPER_GUIDE; ML-2950ND,ABS,2.0,228.	SNA	1
22-2	JC93-00403A	4		JC66-03045A	SHAFT-REGI_IDLE; ML-2955ND,SUM22,226,5	SNA	1
22-3	JC93-00403A	4		JC66-03003A	ROLLER-REGI_IDLE; ML-2950ND,POM SW-01,8,1	SNA	4
23	JC93-00414A	3		JC90-01108A	MP; ML-2955ND,SEE	SA	1
24	JC90-01108A	4		JC90-01111A	MP-GUIDE_LOWER; ML-2955ND,SEE	SA	1
24-1	JC90-01111A	5		JC61-04416A	ADJUST-MANUAL_L; ML-2950ND,ABS,2.0,128.5,	SA	1
24-2	JC90-01111A	5		JC61-04417A	ADJUST-MANUAL_R; ML-2950ND,ABS,2.0,128.5,	SA	1
24-3	JC90-01111A	5		JC61-04392A	GUIDE-LOWER_MP_1; ML-2950ND,HIPS,2.0,41.5	SNA	1
24-4	JC90-01111A	5		JC66-03004A	GEAR-PINION; ML-2950ND,POM,0.5,32,3.9,WHI	SNA	1
25	JC90-01108A	4		JC90-01110A	MP-HOLDER_IDLE; ML-2955ND,SEE	SNA	1

No.	Parent	Lvl.	Loc.	Material Code	Description & Specification	SNA	Qty.
25-1	JC90-01110A	5		JC63-03125A	COVER-ROLLER; ML-2950ND,PC+ABS,2.0,238.7,	SNA	1
25-2	JC90-01110A	5		6043-001409	PIN-ETC; 2.6,85.4,SUM22	SNA	1
25-3	JC90-01110A	5		JC66-02798A	ROLLER-IDLE; ML-3710ND,POM,14,WHITE,GUIDE	SA	1
25-4	JC90-01110A	5		6107-002937	SPRING-CS; SUS304,0.55,4.95,18.0,4.4,5.5,	SA	2

**4.5.1. Frame Base-Pick Up**

**Exploded View**

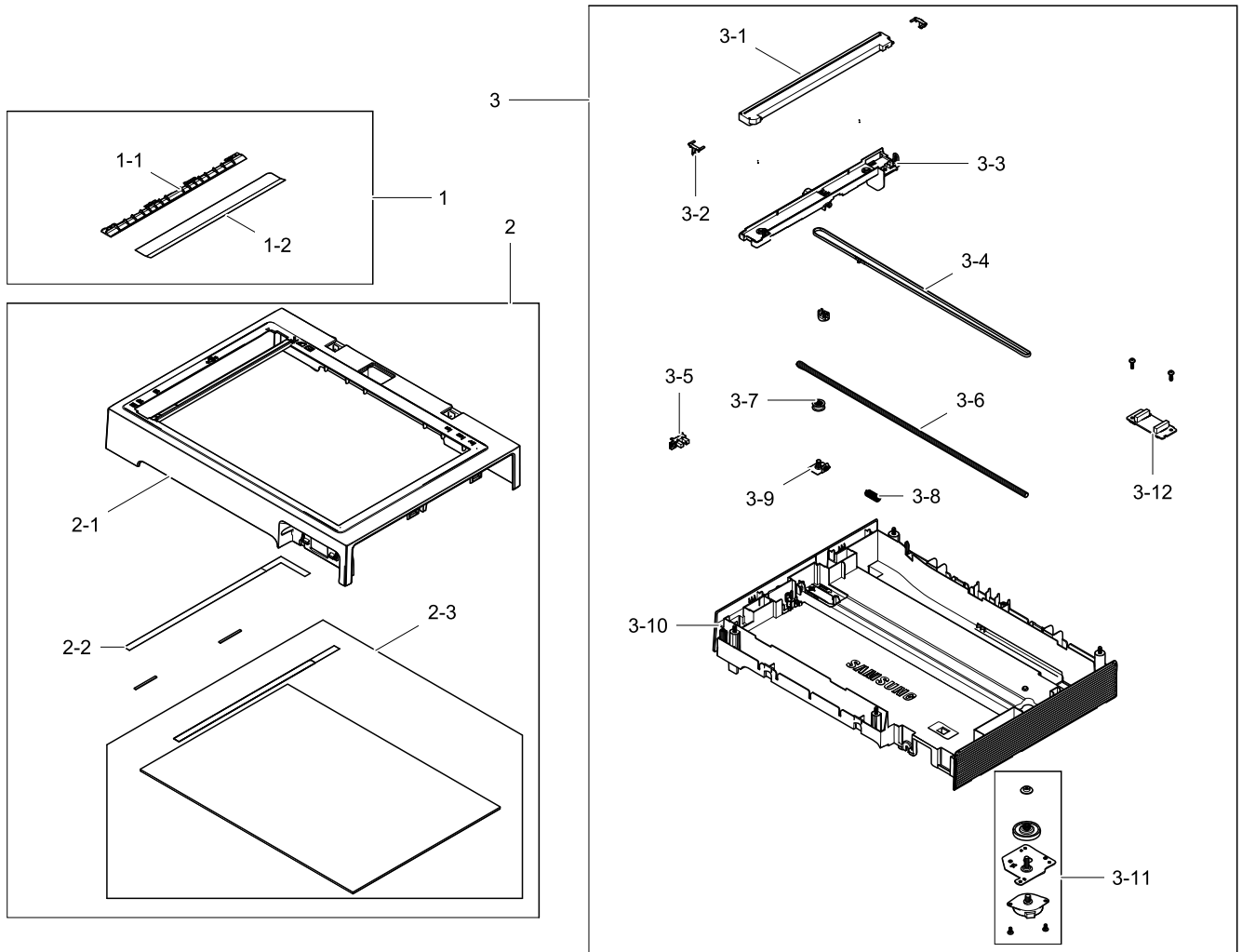


## Parts List

No.	Parent	Lvl.	Loc.	Material Code	Description & Specification	SNA	Qty.
1	JC93-00404A	4		JC63-02956A	SHEET-DUPLEX PATH; ML-3710,PET+TAPE NITTO	SA	1
2	JC93-00404A	4		JC61-04394A	GUIDE-FRAME_DUPLEX; ML-2950ND,HIPS,2.5,54	SA	1
3	JC93-00404A	4	E9322	0604-001393	PHOTO-INTERRUPTER; TR,75mW,BGA,TR	SA	1
4	JC93-00404A	4		6107-002934	SPRING-CS; SUS304,0.45,5.05,19.5,4.6,5.5,	SA	2
5	JC93-00404A	4		JC66-02997A	ACTUATOR-EMPTY; ML-2950ND,POM,F20-02,Blac	SA	1
6	JC93-00404A	4		JC66-03033A	LEVER-GUIDE_DUPLEX; ML-2950ND,ABS,28,48.1	SA	2
7	JC93-00404A	4		JC66-03006A	SHAFT-PICKUP; ML-2950ND,PC,146.6,6,BLACK,	SA	1
8	JC93-00404A	4		JC61-04400A	GUIDE-PICKUP; ML-2950ND,HIPS,2.0,46.8,228	SA	1
9	JC93-00404A	4		JC66-03096A	ROLLER-FEED; ML-2950ND,SUM22,6,GRAY	SA	1
10	JC93-00404A	4	H1185	JC61-02372A	BUSH-D6/L4; POM,CLP-310,ID4,OD8,L4,WHITE,	SA	3
11	JC93-00404A	4		JC93-00405A	FRAME-PICKUP ONEWAY; ML-2955ND,SEE	SA	1
11-1	JC93-00405A	5		JC61-04404A	HOLDER-PICKUP; ML-2950ND,ABS+PC,2.0,59.1,	SNA	1
11-2	JC93-00405A	5	C3485	JC66-01918A	GEAR-IDLE PICK UP; CLX-3170FN,POM,0.5,20,	SNA	1
11-3	JC93-00405A	5		JC66-03047A	CLUTCH-P-ONEWAY; ML-2955ND,POM	SNA	2
11-4	JC93-00405A	5		JC66-02939B	ROLLER-MAT_RETARD; ML-2955ND,EPDM,OD 16,2	SA	2
12	JC93-00417A	4	L8199	6031-001255	WASHER-PLAIN; NYLON,CUTTING,ID5,OD9,T0.5,	SNA	2

# 5. Platen

## Exploded View



## Parts List

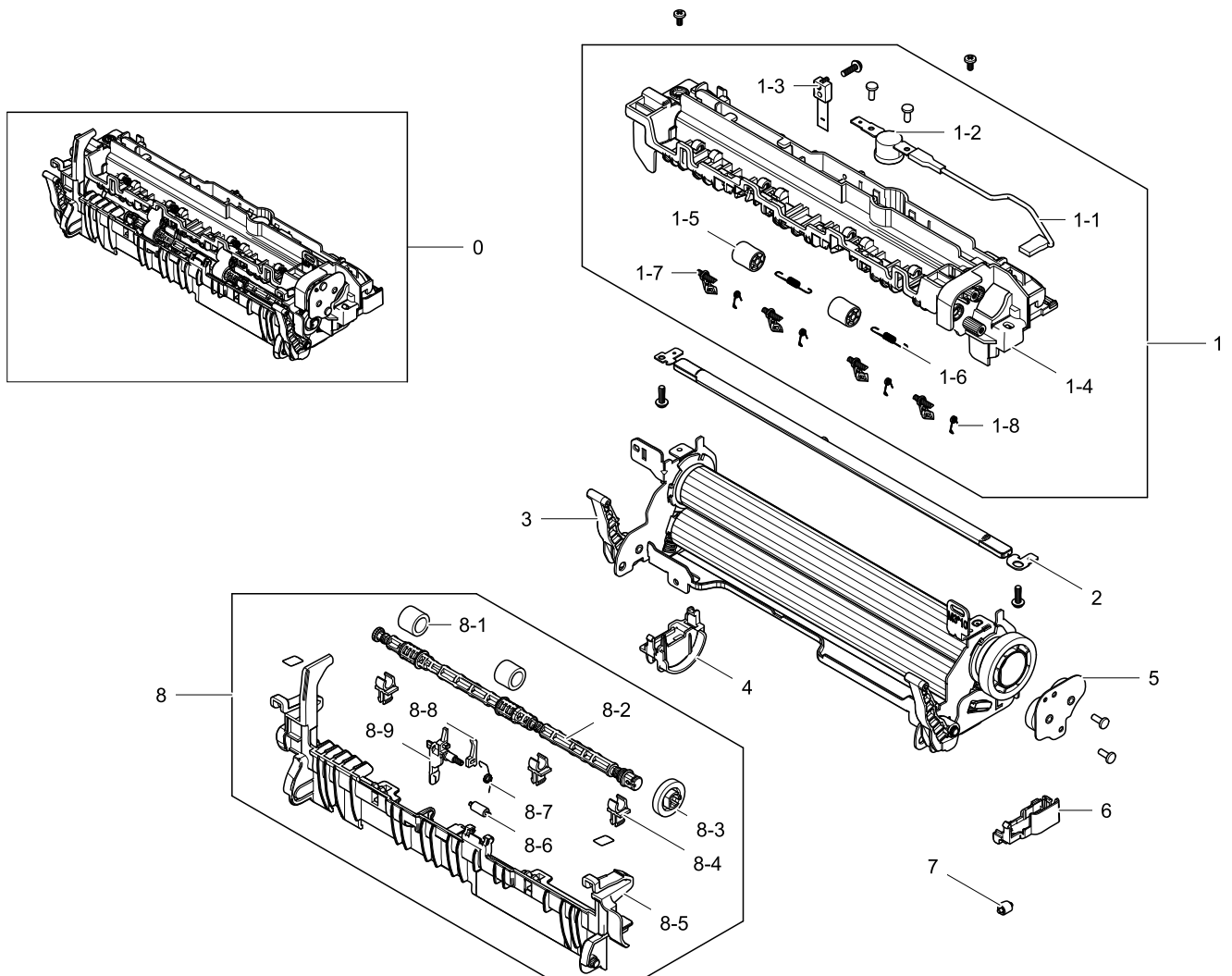
No.	Parent	Lvl.	Loc.	Material Code	Description & Specification	SNA	Qty.
1	JC97-03964B	3		JC97-03693B	PLATEN-SHEET; SCX-4729FD,SEE	SNA	1
1-1	JC97-03693B	4	L8641	JC61-03513A	HOLDER-ADF SHEET; SCX-4623FN,ABS,230,13.1	SNA	1
1-2	JC97-03693B	4		JC63-01794B	SHEET-ADF; SCX-4729FD,PC,0.125,18.2,225	SNA	1
2	JC97-03964B	3		JC97-03965B	PLATEN-UPPER; SCX-4728FD,SEE	SA	1
2-1	JC97-03965B	4		JC63-03149B	COVER-SCAN UPPER; SCX-4728FD,HIPS,2.0T,40	SNA	1
2-2	JC97-03965B	4	G1906	0203-001266	TAPE-DOUBLE FACE; 3M9448HK,T0.16,W4,L280,	SNA	1
2-3	JC97-03965B	4		JC97-03969A	SCANNER-PLATEN UPPER; SCX-4729FD,SEE	SNA	1
3	JC97-03964B	3		JC97-03966B	PLATEN-LOWER; SCX-4728FD,SEE	SA	1

## Exploded Views and Parts List

No.	Parent	Lvl.	Loc.	Material Code	Description & Specification	SNA	Qty.
3-1	JC97-03968A	5		0609-001409	CONTACT IMAGE SENSOR; 217mm,10368dot,1.5m	SA	1
3-2	JC97-03968A	5	G0802	JC66-01580A	SLIDER-CIS; CLX-2160,RTP 899X93924,0.7,11	SA	2
3-3	JC97-03968A	5		JC61-04146A	BRACKET-CIS; SCX-4833FD,ABS+PC,2.5,239.1,	SNA	1
3-4	JC97-03968A	5	A4232	6602-001637	BELT-TIMING GEAR; POLY URETHANE,T0.98,L73	SA	1
3-5	JC97-03966B	4	L9633	0604-001415	PHOTO-INTERRUPTER; TR,DIP-4,BK	SA	1
3-6	JC97-03968A	5	L5867	JC66-01448A	SHAFT-CIS; SCX-4500,SUM22,382,6	SA	1
3-7	JC97-03968A	5	F7339	JC66-00713A	PULLEY-M_IDLE; SCX-4100,POM,NATURAL,5,	SNA	1
3-8	JC97-03968A	5	G1544	6107-001194	SPRING-CS; SWP-B,BLK,PI0.9,D6.95,L20,ID6.	SA	1
3-9	JC97-03968A	5	A7476	JC61-00931A	BRACKET-P-PULLEY; SCX-4100,SECC,0.80	SNA	1
3-10	JC97-03966B	4		JC63-03148B	COVER-SCAN LOWER; SCX-4728FD,HIPS,2.0T,40	SNA	1
3-11	JC97-03968A	5		JC93-00419A	DRIVE PLATEN; SCX-4729FD,SEC,SCAN MOTOR A	SA	1
3-12	JC97-03966B	4		JC92-02426A	PBA-ADF; SCX-4729FD,SEC,ADF,60x25mm,FR-1,	SA	1

## 6. Fuser

### Exploded View



### Parts List

No.	Parent	Lvl.	Loc.	Material Code	Description & Specification	SNA	Qty.
0	SCX-4728FD	1		JC91-01034B	FUSER; ML-2950ND,SEC,WORLD,220V	SA	1
1	JC91-01034B	2		JC91-01035A	FUSER-UPPER; ML-2950ND,SEC,WORLD	SNA	1
1-1	JC91-01035A	3		JC39-01487A	HARNESS-FUSER JOINT; ML-3710,1 pin,90mm,W	SA	1
1-2	JC91-01035A	3	SNA	4712-001091	THERMOSTAT; AC125/250V,195+-50(NULL)	1	
1-3	JC91-01035A	3	L7831	1404-001447	THERMISTOR-NTC ASSY; 7Kohm,3370K,0.3mW/C,	SC	1
1-4	JC91-01035A	3		JC63-03132A	COVER-FUSER; ML-2950ND,PET+GF30,290.98,BL	SNA	1

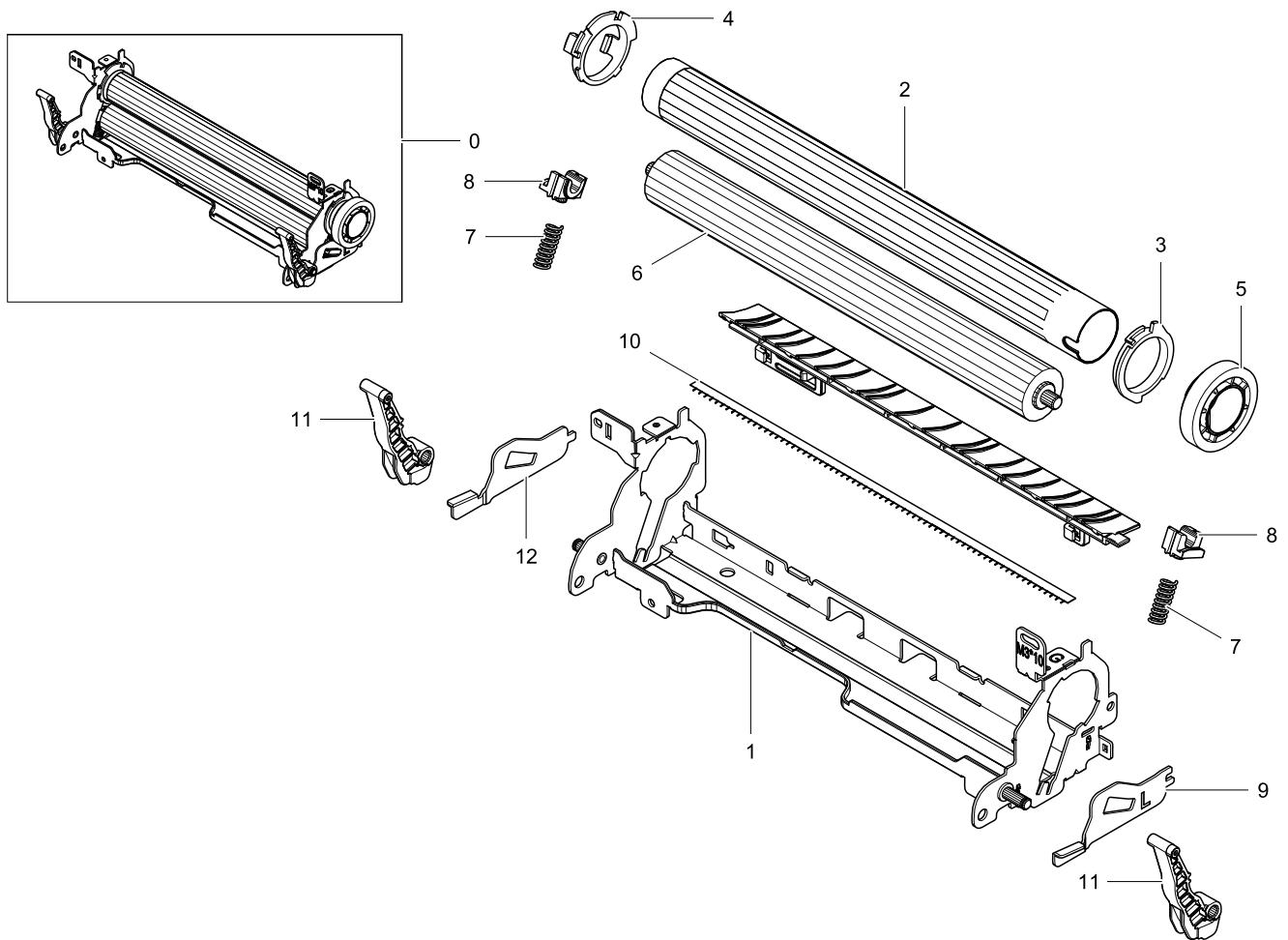
## Exploded Views and Parts List

No.	Parent	Lvl.	Loc.	Material Code	Description & Specification	SNA	Qty.
1-5	JC91-01035A	3	F4747	JC72-40361A	PMO-ROLLER_EXIT; SCF(XR),POM,NATURAL,M90-	SA	2
1-6	JC91-01035A	3	G1330	JC61-70976A	SPRING ETC-FUSER EXIT; ML-7000,SUS304-WPB	SA	2
1-7	JC91-01035A	3	I6177	JC61-02154A	GUIDE-CLAW; ML-3471ND,PPS+GF40,13.20,16.5	SNA	4
1-8	JC91-01035A	3		6107-002817	SPRING-ETC; SUS304,0.35,0.29,3.2,3.78	SA	4
2	JC91-01034B	2		4713-001565	LAMP-HALOGEN; 230V,850W	SA	1
3	JC91-01034B	2		JC91-01036A	FUSER-LOWER; ML-2950ND,SEC,WORLD	SNA	1
4	JC91-01034B	2		JC67-00533A	CAP-LAMP_R; ML-2950ND,PET+GF,2T,BLACK	SNA	1
5	JC91-01034B	2		JC91-01038A	FUSER-DRIVE_EXIT; ML-2950ND,SEC,WORLD	SA	1
6	JC91-01034B	2		JC67-00532A	CAP-LAMP_L; ML-2950ND,PET+GF,2T,BLACK	SNA	1
7	JC91-01034B	2	L9442	JC61-03968A	STOPPER-GEAR_FUSER; ML-1660,PA66,NATURAL	SNA	1
8	JC91-01034B	2		JC91-01037B	FUSER-REAR; ML-2950ND,SEC,WORLD,220V	SA	1
8-1	JC91-01037B	3		JC66-02955A	ROLLER-SILICON_EXIT; ML-3700,SILICON,13.4	SA	2
8-2	JC91-01037B	3		JC66-02990A	SHAFT-EXIT_F/UP; ML-2950ND,PBT+GF,204.2,1	SNA	1
8-3	JC91-01037B	3		JC66-02777A	GEAR-EXIT_Z19; ML-3700ND,POM,1,19,NTR,21.	SNA	1
8-4	JC91-01037B	3	H1255	JC61-02158A	BUSH-TX; ML-3471ND/SEE,POM(M90-44),2.5,16	SNA	3
8-5	JC91-01037B	3		JC61-04363A	GUIDE-REAR; ML-2950ND,PC,2.0T,237.31,BLAC	SNA	1
8-6	JC91-01037B	3	L4458	JC66-01661A	ROLLER-IDLE_EXIT; ML-2851ND,POM,5,15.2,WH	SNA	1
8-7	JC91-01037B	3		6107-002670	SPRING-ETC; SUS304,PI0.2,ID4.5,OD4.9,8.1,	SNA	1
8-8	JC91-01037B	3		JC61-04133A	HOLDER-ACTUATOR; ML-3700,TEFLON,2.0,17.4	SNA	1
8-9	JC91-01037B	3		JC66-02991A	ACTUATOR-EXIT; ML-2950ND,PA66,2.0T,26.7,3	SA	1



## 6.1. Fuser-Lower

### Exploded View



### Parts List

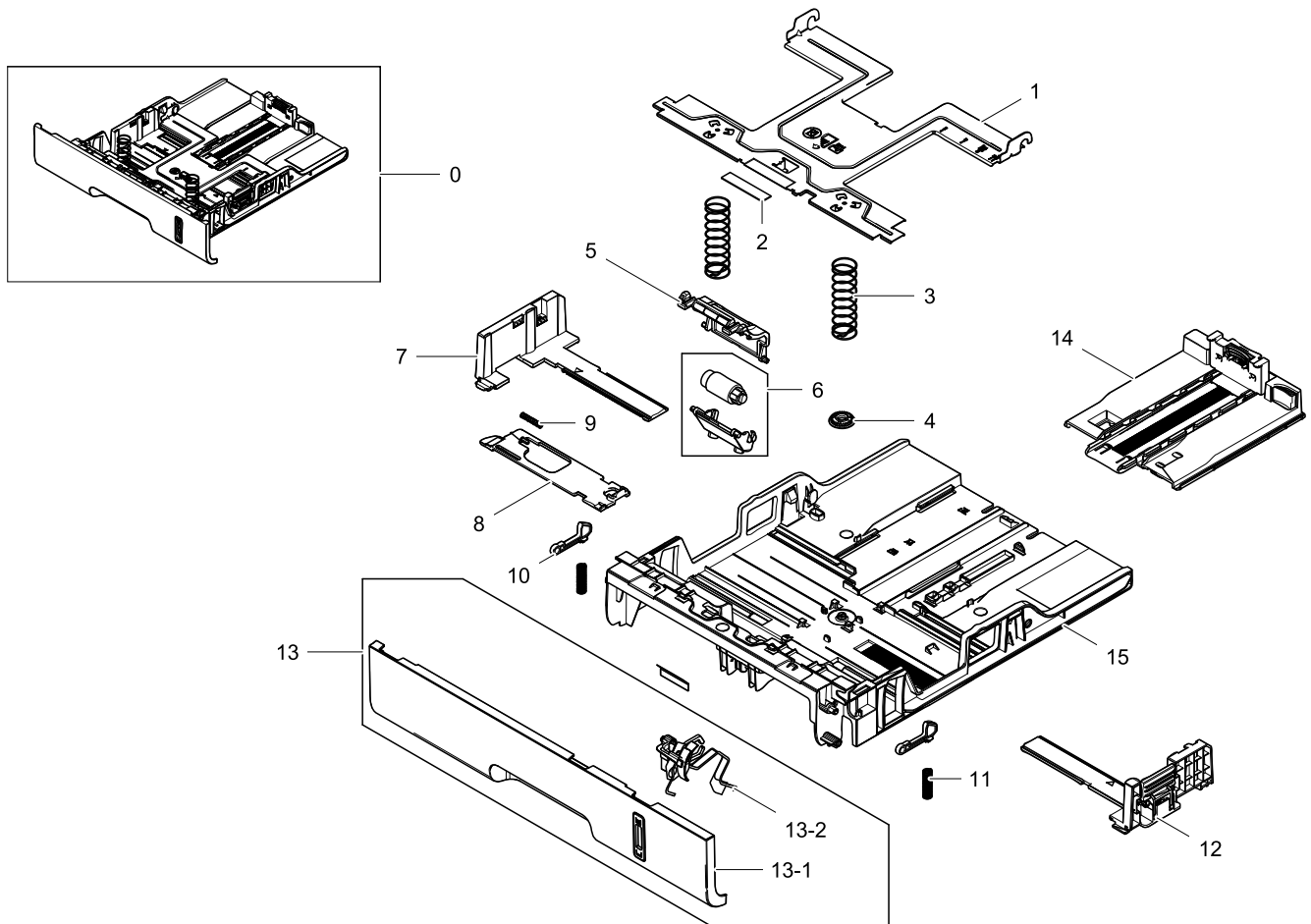
No.	Parent	Lvl.	Loc.	Material Code	Description & Specification	SNA	Qty.
0	JC91-01034B	2		JC91-01036A	FUSER-LOWER; ML-2950ND,SEC,WORLD	SNA	1
1	JC91-01036A	3		JC61-04367A	FRAME-FUSER; ML-2950ND,SECC,NATURAL,1.2t,	SNA	1
2	JC91-01036A	3		JC66-02993A	ROLLER-HEAT; ML-2950ND,AL3304,24.7,T0.6,N	SA	1
3	JC91-01036A	3	H1232	JC61-00888A	BUSH-M-HR L_R2; SCX-4920N,PPS, 25.3,29	SA	1
4	JC91-01036A	3	H1233	JC61-00887A	BUSH-M-HR R_R2; SCX-4920N,PPS, 25.3,29	SA	1
5	JC91-01036A	3		JC66-02992A	GEAR-FUSER; ML-2950ND,PPS,1,36,BROWN,38	SA	1
6	JC91-01036A	3	P6016	JC66-00600B	ROLLER-PRESSURE_CHINA; ML-1710/XIL,SPONGE	SA	1

Exploded Views and Parts List

No.	Parent	Lvl.	Loc.	Material Code	Description & Specification	SNA	Qty.
7	JC91-01036A	3	L7239	JC61-00056A	SPRING ETC-PR(7300); ML-7300,PIANO WIRE,1	SA	2
8	JC91-01036A	3		JC61-04366A	BUSH-PR; ML-2950ND,PPS,6.0,BROWN	SNA	2
9	JC91-01036A	3		JC66-02982A	LEVER-LINK-JAM_L; ML-2950ND,SECC,1.2T,NAT	SNA	1
10	JC91-01036A	3		JC67-00541A	BRUSH-ANTISTATIC; ML-2950ND,SUS FIBER,13,	SNA	1
11	JC91-01036A	3		JC61-04364A	HOLDER-JAM; ML-2950ND,PC,BLACK	SA	2
12	JC91-01036A	3		JC66-02983A	LEVER-LINK-JAM_R; ML-2950ND,SECC,1.2T,NAT	SNA	1

## 7. Cassette

### Exploded View



### Parts List

No.	Parent	Lvl.	Loc.	Material Code	Description & Specification	SNA	Qty.
0	SCX-4728FD	1		JC90-01115B	CASSETTE; SCX-4728FD,SEE,B-Type	SA	1
1	JC90-01102A	3		JC61-04379A	PLATE-KNOCK_UP; SECC,0.8,257.8,169	SA	1
2	JC90-01102A	3	F9051	JC73-00141A	RPR-PAD CASSETTE; ML-1510,URETHANE SPONGE	SA	1
3	JC90-01102A	3		6107-002935	SPRING-CS; SUS304,0.8,18.2,64.0,17.4,19.0	SA	2
4	JC90-01102A	3		JC66-03004A	GEAR-PINION; ML-2950ND,POM,0.5,32,3.9,WHI	SNA	1
5	JC90-01102A	3		JC63-03124A	COVER-CASSETTE; ML-2950ND,ABS,1.5,69.7,43	SA	1
6	JC90-01102A	3		JC90-01107A	CASSETTE-RETARD; ML-2955ND,SEE	SA	1
7	JC90-01102A	3		JC61-04397A	GUIDE-ADJUST_L; ML-2950ND,ABS,2.0,135.52,	SA	1

## Exploded Views and Parts List

No.	Parent	Lvl.	Loc.	Material Code	Description & Specification	SNA	Qty.
8	JC90-01102A	3		JC64-00657A	LOCKER-PLATE; ML-2950ND,POM,WHITE,KEPITAL	SA	1
9	JC90-01102A	3	G1358	JG61-70531A	SPRING ETC-LOCKER,PLATE; SF6000,SUS304WPB	SA	1
10	JC90-01102A	3		JC64-00610A	LOCKER-CASSETTE; ML-3710,POM,NTR,41.5, 15	SNA	2
11	JC90-01102A	3	L7422	6107-001287	SPRING-CS; SUS304-WPB,PI0.6,D6.5,L25,ID5.	SA	2
12	JC90-01102A	3		JC90-01106A	CASSETTE-GUIDE RIGHT; ML-2955ND,SEE	SA	1
13	JC90-01115B	2		JC90-01114B	CASSETTE-COVER HANDLE; SCX-4728FD,SEE	SNA	1
13-1	JC90-01114B	3		JC64-00660B	HANDLE-CASSETTE; SCX-4728FD,HIPS,2.0T,403	SNA	1
13-2	JC90-01114B	3		JC64-00661A	INDICATOR-PAPER; SCX-4729FD,HIP HR-1360T,	SNA	1
14	JC90-01102A	3		JC90-01105A	CASSETTE-GUIDE REAR; ML-2955ND,SEE	SA	1
15	JC90-01102A	3		JC61-04380A	FRAME-CASSETTE; ML-2950ND,HIPS,2.0,258.8,	SA	1